



EVOLUTION 640 SERIES

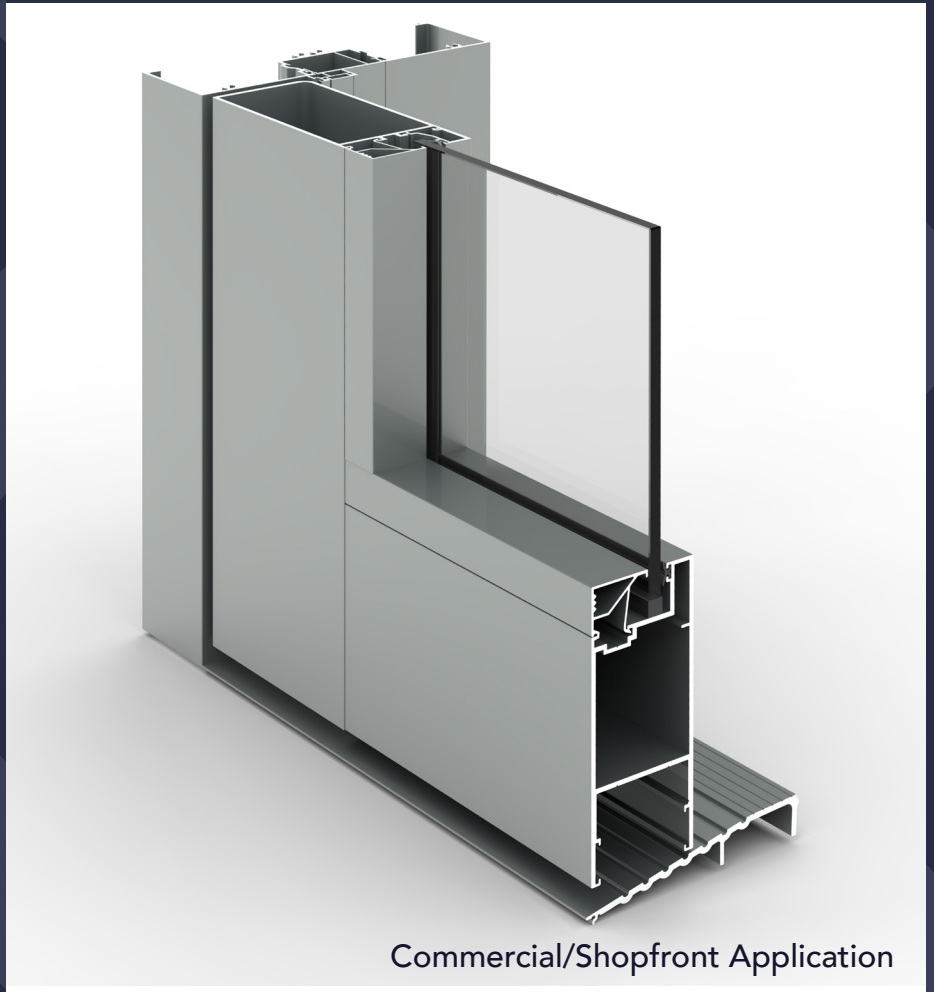
SPECIFICATIONS:

- Frame Width 159mm
- Frame Height 50mm
- Glass Thickness 6-33mm

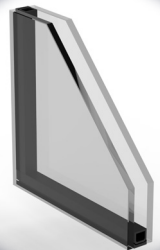
KEY FEATURES:

- Available in single and double glazed frame variants
- Robust commercial framing system ideal for apartments, commercial and luxury home applications
- Square clean lines
- Highly configurable
- Tested and compliant to AS2047
- A large range of adaptors, sub sills, sub heads, sub jambs etc to accommodate any installation detail
- Compatible with all window types in Evolution 640 Series range
- Large range of stiffeners, varying size interlocks & adaptors to suit most wind & water pressure requirements.

HINGE DOOR



Commercial/Shopfront Application



All suites can be double glazed